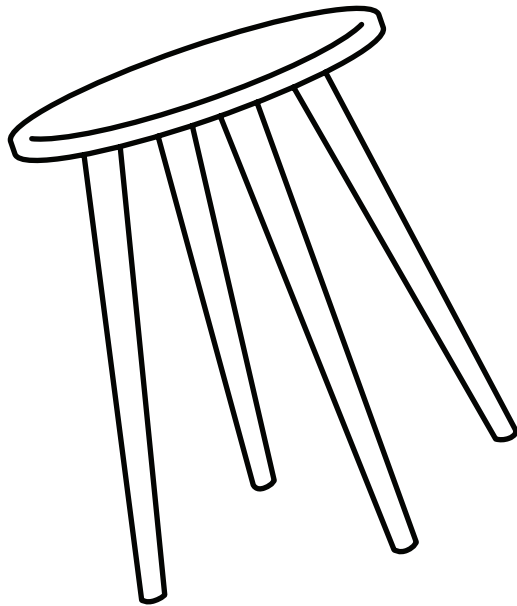
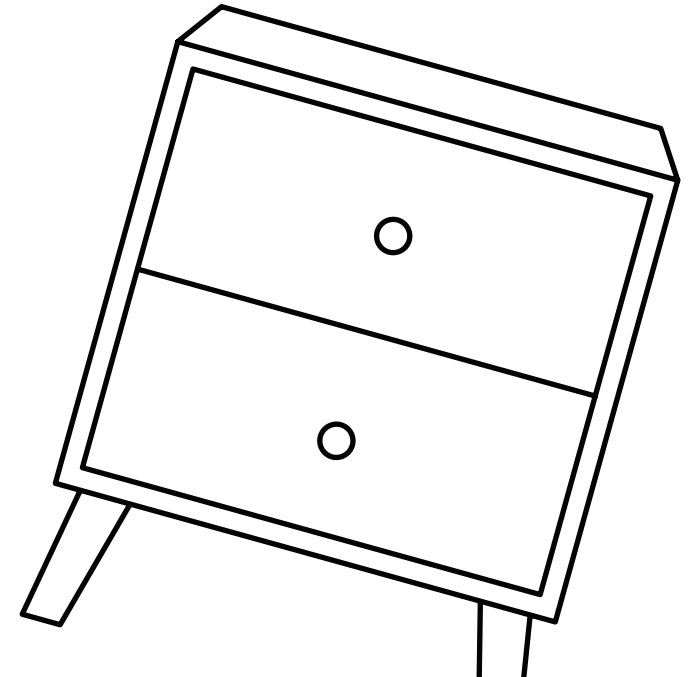


Hello,  
I've arrived!

Now that I'm here you are only one  
flat-pack away from transforming  
your home.



**Mocka.**

# Thank you for supporting us.

We believe design belongs to everyone. From materials and processes to safety testing, production and delivery, we are passionate and committed to bringing you the best possible product so you can create beautifully functional spaces to feel comfortably you.

Here are a few assembly tips before you get started:



## Make Time

The first step to all seamless assembly is taking a moment to carefully read through the instructions—you are already on your way to creating a beautifully functional space!



## Set The Mood

Put on your favourite playlist, order that pizza and pour yourself a drink to get in the mood!



## Tool Check

Layout the instructions, screws and panels to check you have everything you need. A blanket or soft floor rug will help protect your new favourite item from scratches and a drill will speed up the assembly too!



## Room Reveal

You did it! Take a step back and enjoy the moment. Don't forget to recycle any packaging and share a pic of your room reveal - we love seeing how you transform your home! Tag us @mockaaustralia/@mockaanz

Happy flat-packing!

*The Mocka Team*

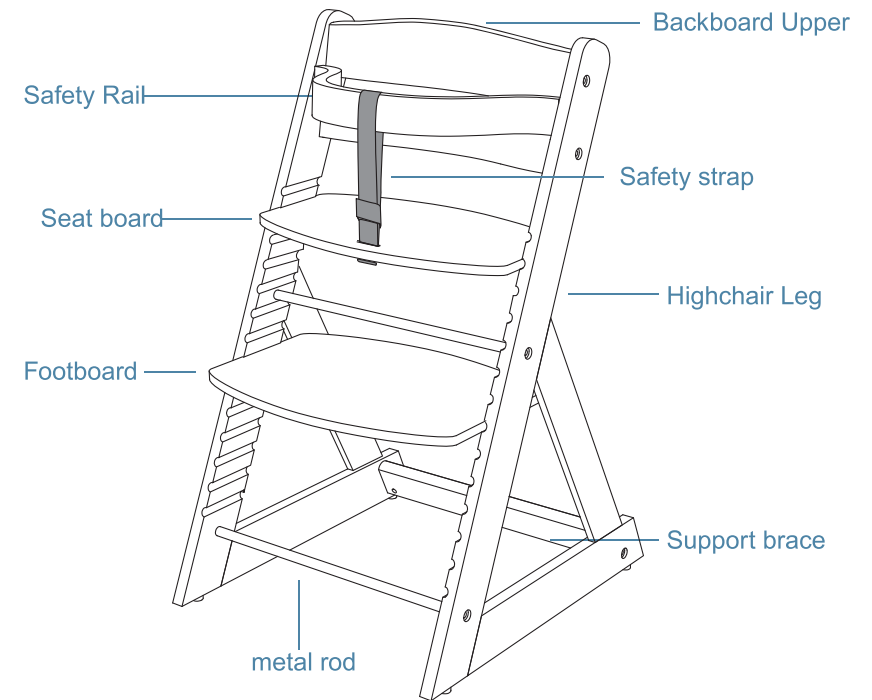
# Soho Wooden Highchair

Thank you for purchasing Soho Wooden Highchair. Please follow the manufacturer's assembly instructions in detail.

## IMPORTANT! READ CAREFULLY AND KEEP FOR FUTURE REFERENCE

### SAFETY WARNINGS

- FOLLOW THE MANUFACTURERS INSTRUCTIONS
- NEVER LEAVE THE CHILD UNATTENDED
- FALLING HAZARD: PREVENT YOUR CHILD FROM CLIMBING ON THE PRODUCT
- THE HARNESS MUST ALWAYS BE USED AND CORRECTLY FITTED – MOST HIGHCHAIR INJURIES ARE CAUSED BY FALLS. ONLY USE THE HARNESS PROVIDED WITH THE PRODUCT.
- POSITION THE HIGHCHAIR AWAY FROM SOLID STRUCTURES, BENCHES AND FURNITURE SO THE CHILD CANNOT PUSH AGAINST THE ITEM AND CAUSE THE HIGHCHAIR TO TILT, CAUSING SERIOUS INJURY TO THE CHILD.
- ALWAYS USE THE HIGHCHAIR ON A FLAT AND HORIZONTAL FLOOR. DO NOT ELEVATE THE HIGHCHAIR ON ANY STRUCTURE OR TABLE.
- NEVER PLACE THE HIGHCHAIR NEAR HOT SURFACES, DANGEROUS LIQUIDS, WINDOW BLINDS or ELECTRICAL CORDS.
- ONLY USE THE HIGHCHAIR WHEN THE CHILD CAN SIT UP UNAIDED
- SUITABLE FOR A CHILD WEIGHING UP TO MAXIMUM 15KG
- ALWAYS ENGAGE THE LOCKS/BRAKES WHEN THE HIGHCHAIR IS STATIONARY

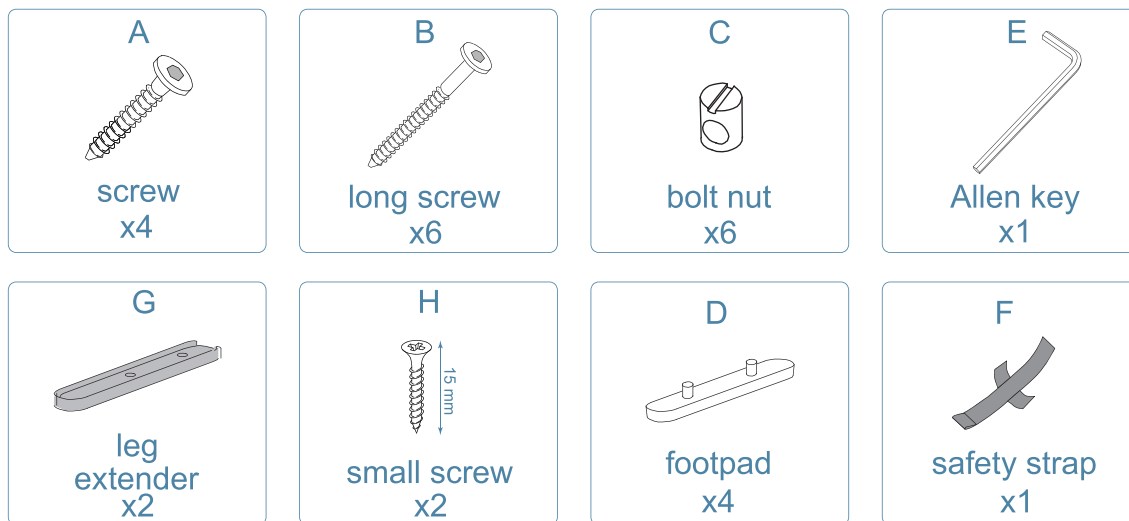


**Only use the highchair on a flat, even and horizontal floor.  
Do not elevate the highchair on any structure or table.**

### CLEANING & CARE

- DO NOT USE THE PRODUCT UNLESS ALL COMPONENTS ARE CORRECTLY FITTED AND ADJUSTED. REGULARLY INSPECT THE HIGHCHAIR FOR MAINTENANCE OF LOOSE SCREWS ETC.
- DO NOT USE THE HIGHCHAIR IF ANY PART IS BROKEN, TORN OR MISSING. CONTACT THE MANUFACTURER FOR FURTHER ADVICE.
- WIPE THE HIGHCHAIR CLEAN USING A CLEAN DAMP CLOTH AND SUITABLE COMMERCIAL CLEANER.

# Soho Wooden Highchair

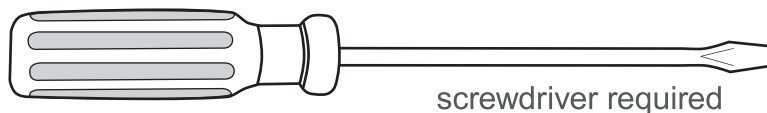


Pre-installed Hardware

To alter the seat and footrest heights after assembly, simply loosen all the screws in the upper and lower backrests and the metal rods on both sides of the highchair. Once loosened this will allow the seat and footrest to be pulled out. Insert into the new positions and then lock in place by re-tightening all the screws. Ensure both the seat and footrest are locked into position and cannot be moved by hand, before placing the child in the highchair

Thank you!  
The Mocka Team

**Warning:** Small parts are used to assemble the Soho Highchair and should only be assembled by an adult. Keep all assembly parts away from small children.

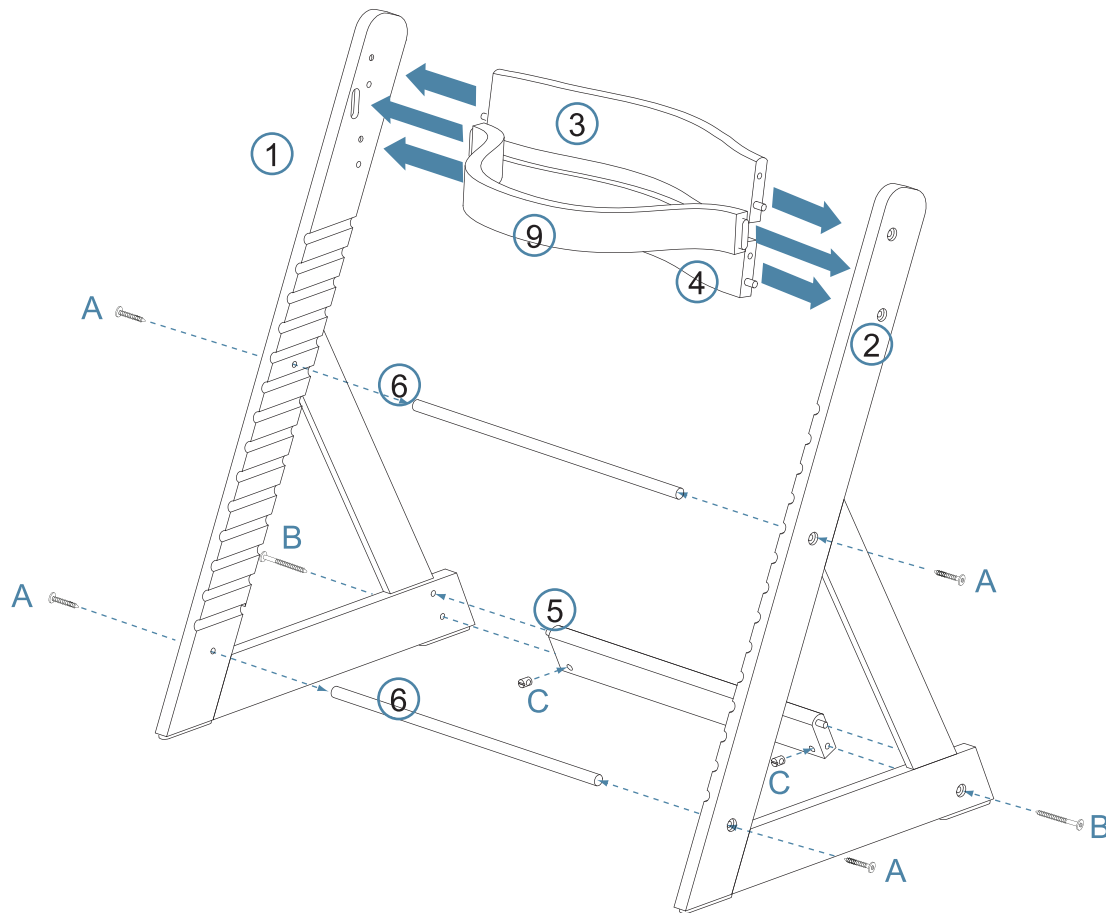


screwdriver required

# Soho Wooden Highchair

## 1

To begin assembly, line up backboards, iron rods, and support brace between both legs of the highchair.

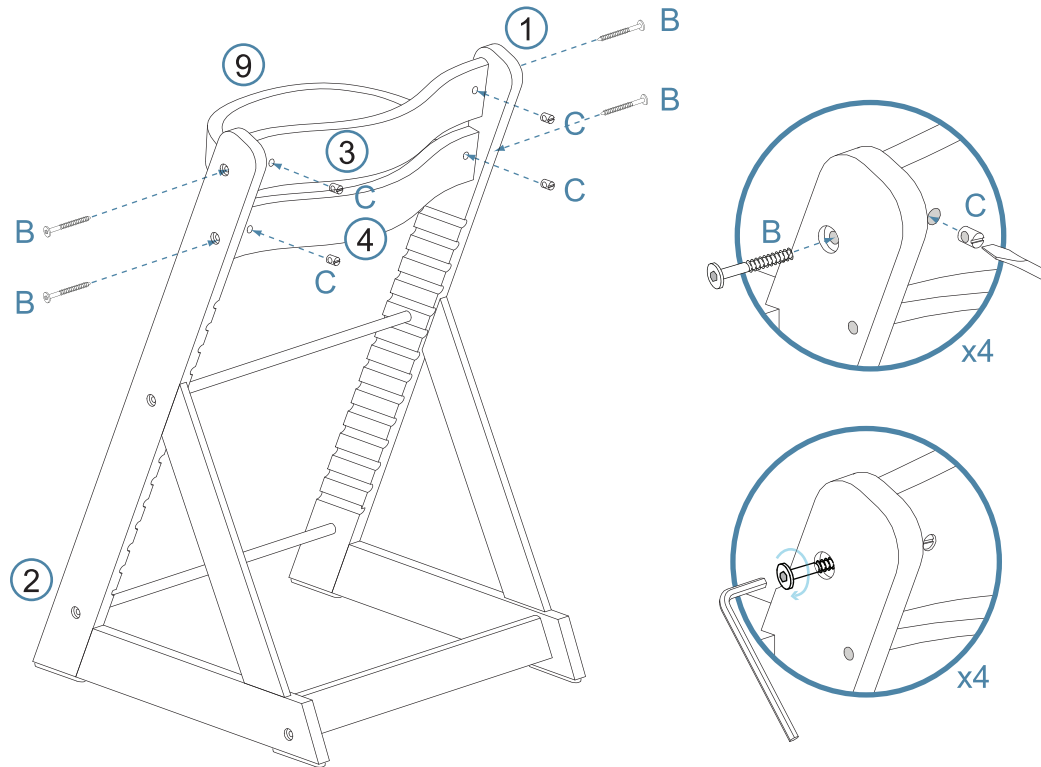


To begin assembly, line up backboards [3] and [4], iron rods [6], safety rail [9] and support brace [5] between both legs [1] and [2] of the highchair.

Ensure all components slot into the corresponding grooves on the inside of the legs [1] and [2]. Loosely fasten rods [6] to the highchair legs [1] and [2] using screws (A) and allen key (E) provided. Attach wooden support brace [5] using long screws (B) and bolt nuts (C) as shown and loosely tighten with Allen Key (E)

# Soho Wooden Highchair

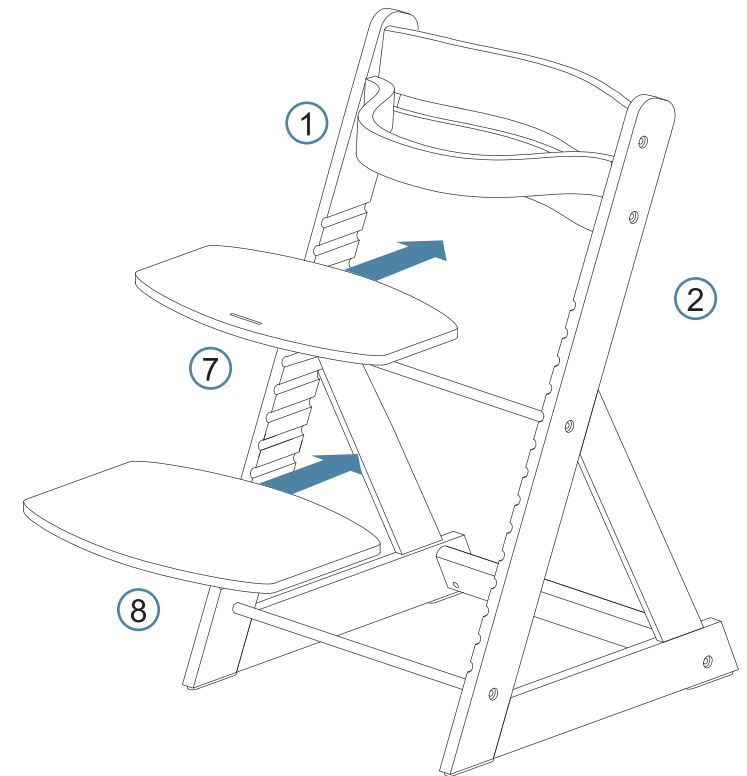
## 2



Loosely fasten upper backboard [3] and lower backboard [4] to legs using long screws (B) and bolt nuts (C). Hold the nut using a flathead screwdriver to ensure it is in the right position for screws and tighten screws with allen key (E).

## 3

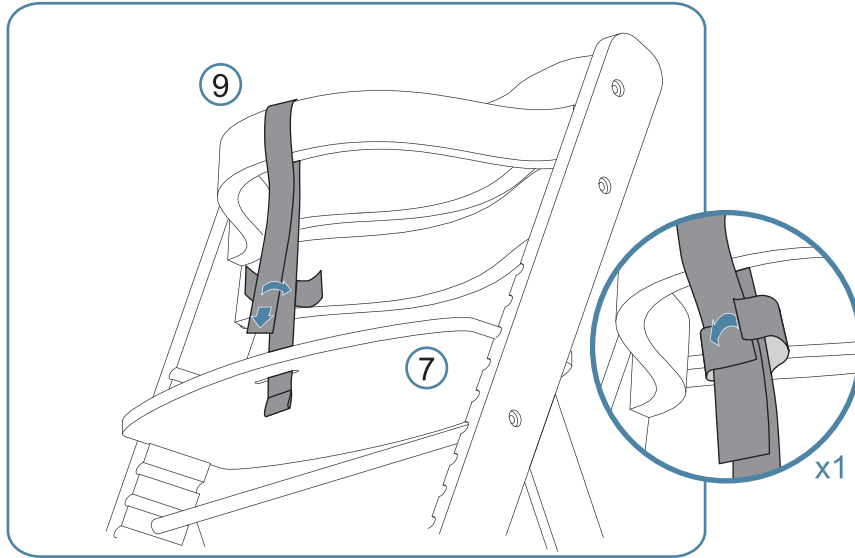
**Note:** It is important to ensure that the foot board is inserted at least three rungs below the top metal rod.



Slide seat board [7] and foot board [8] into slots in the highchair legs [1] and [2] at appropriate heights as required for your child's comfort. For babies we recommend the seat on the 1st or 2nd level down.

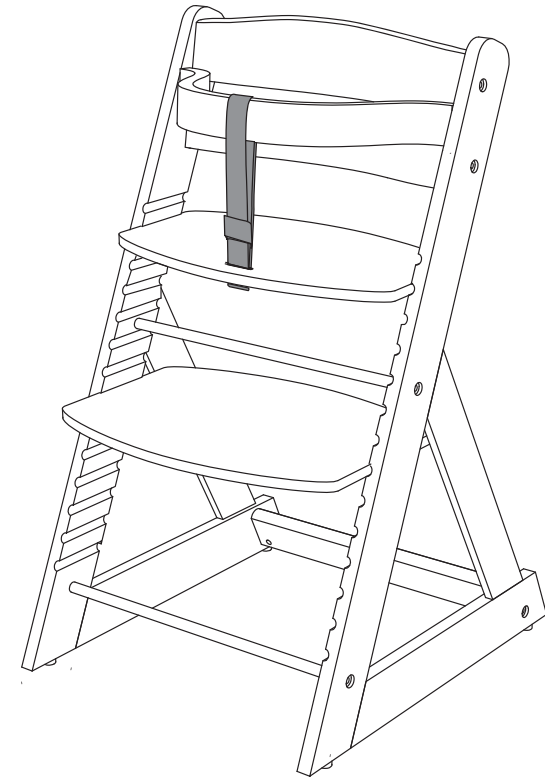
# Soho Wooden Highchair

4



Thread the safety strap through the opening in the seatboard [7] and over the safety rail [9]. Pull the strap tight and fold the velcro flaps over onto the strap to secure it in place. \*Please note - the two small velcro side straps on the safety strap are only for use when the seat is on the top two seat levels. This is the recommended seat height for babies/infants.

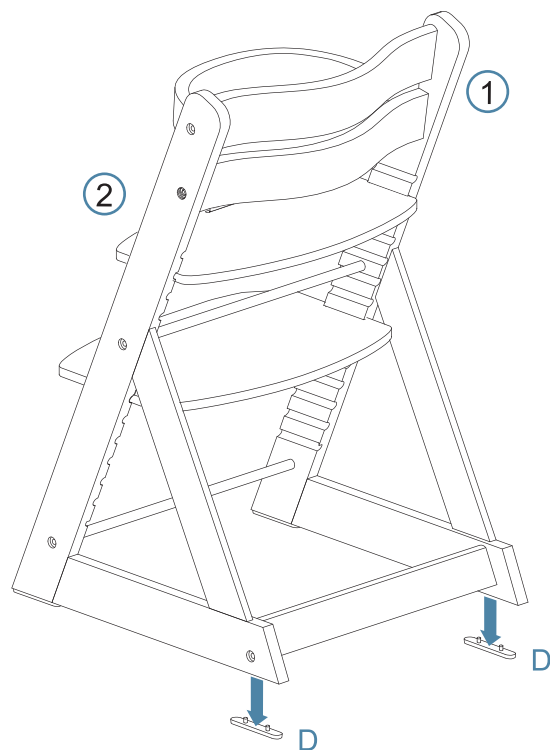
5



**IMPORTANT** - To ensure the highchair is 100% safe for your child please read this important information. Start by working in a methodical manner by tightening the bottom left screw, then tightening the bottom right screw. Continue in this manner, alternating from left to right, working your way up to the top of the Highchair. This will ensure the pieces lock into place and have the correct tension and the highchair is balanced. Attach the padded cushions to seat and backboard for added comfort. Enjoy!

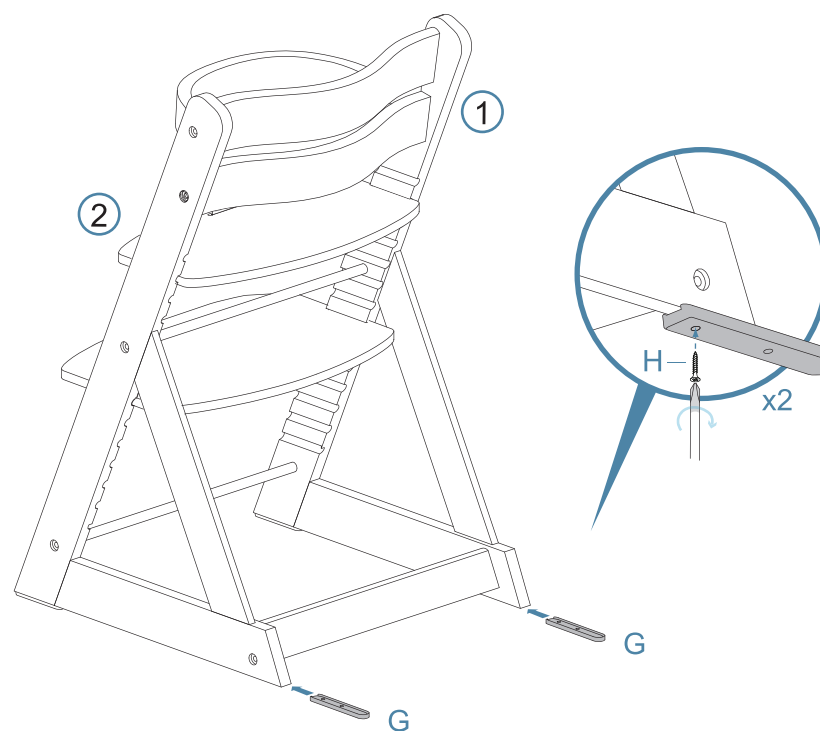
# Soho Wooden Highchair

## 6 LEG EXTENDERS



To attach the leg extenders, remove white plastic footpad on the underside of the legs [1] and [2]

## 7

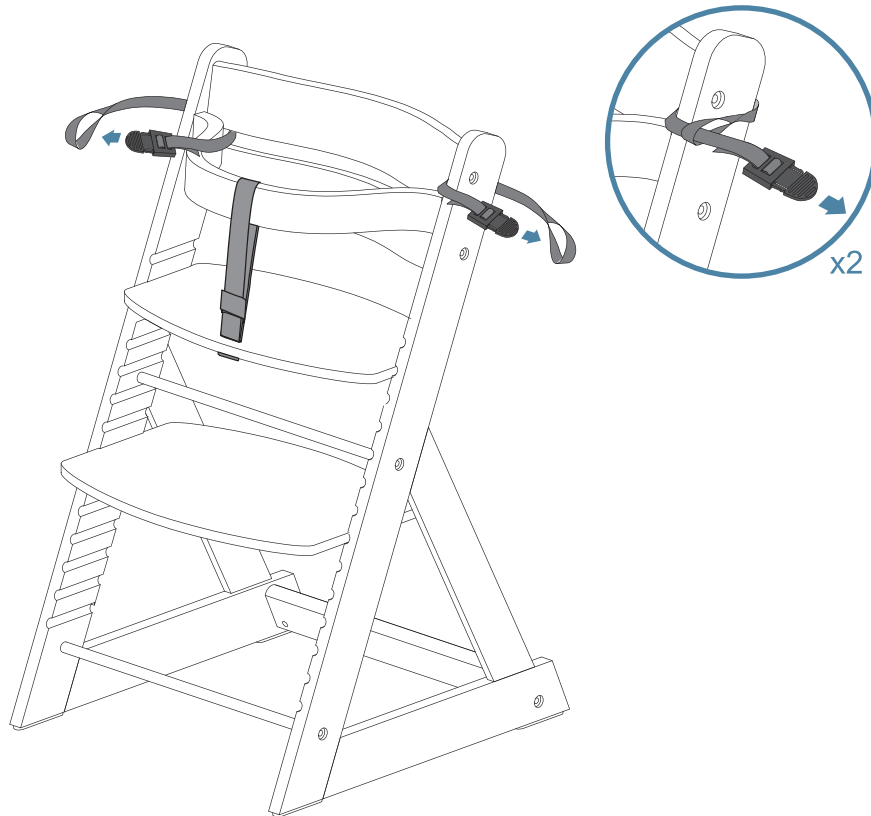


Attach leg extenders at the desired point on the legs [1] and [2] using a 15mm small screw (J) & screwdriver. All done!



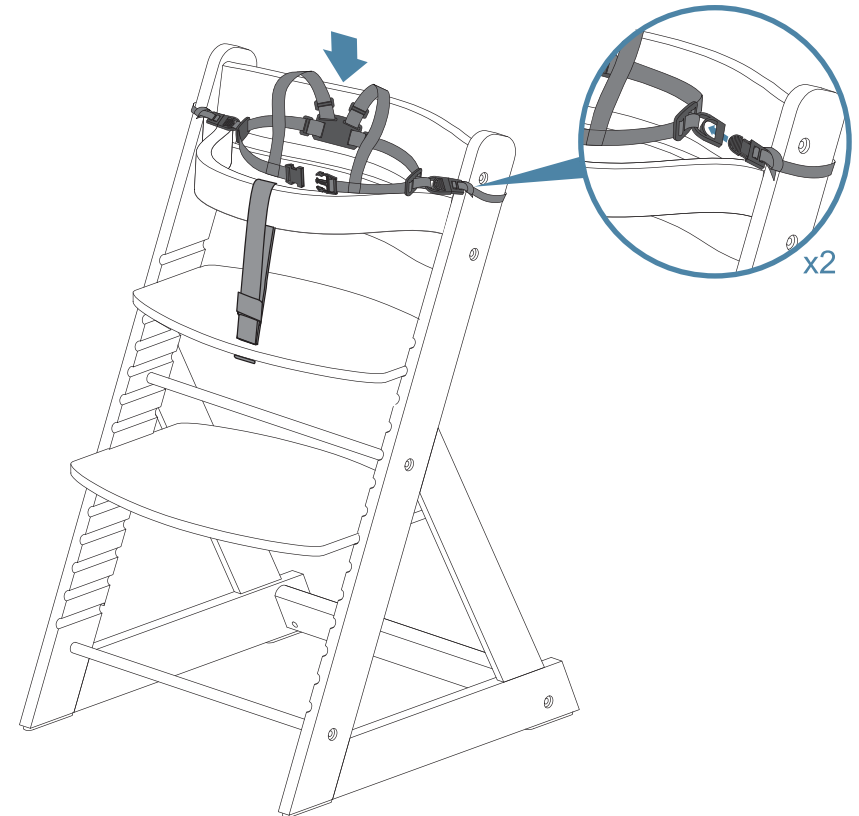
# Soho Wooden Highchair

8 The harness must always be used and correctly fitted



Separate the anchor straps and loop around the high-chair supports and under the backrest. Tie to high-chair frame by passing each clip through the loop in the straps.

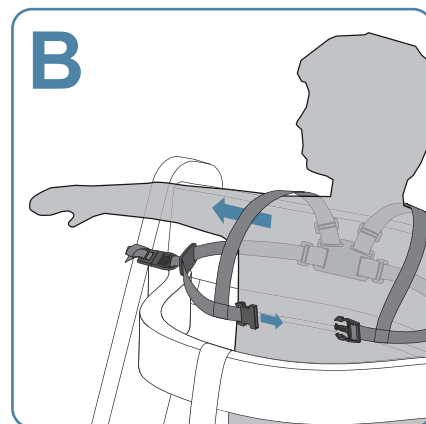
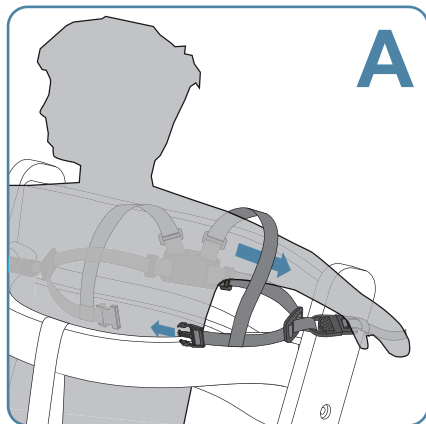
9



Connect the rest of the harness to the anchor-straps by clipping together both buckles as shown. Keep the harness and middle buckle loose and open for now.

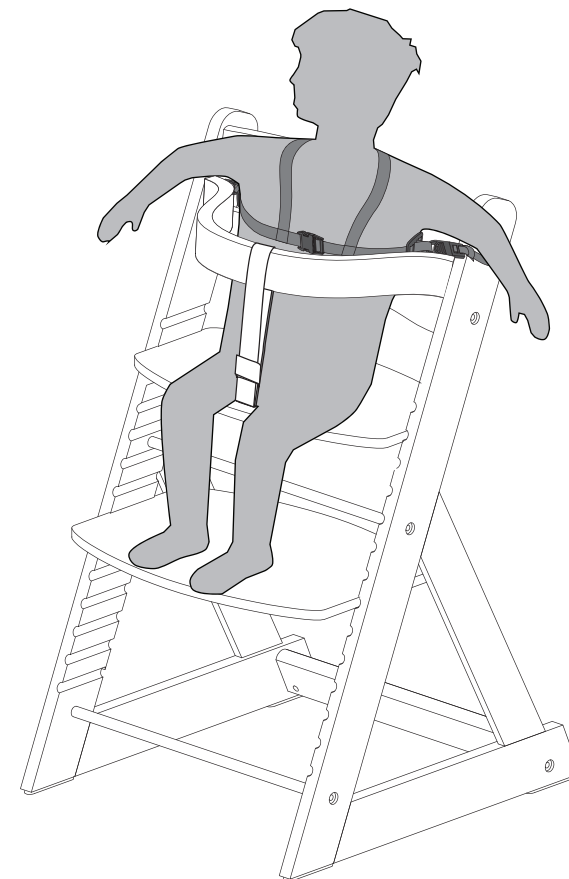
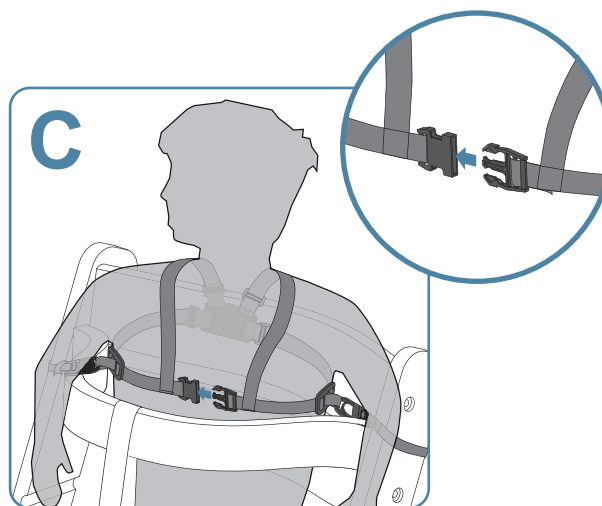
# Soho Wooden Highchair

10



- A.** Carefully sit child in the highchair and slip arm through harness.  
**B.** Slip child's second arm through the harness loop.  
**C.** With the harness sitting over the shoulders, clip the front buckles together as shown.

11



Finally adjust straps to ensure a snug fit around child's shoulders and chest. To take the child out of the chair, simply unclip the buckle and slip off harness.  
 All done! Enjoy!